

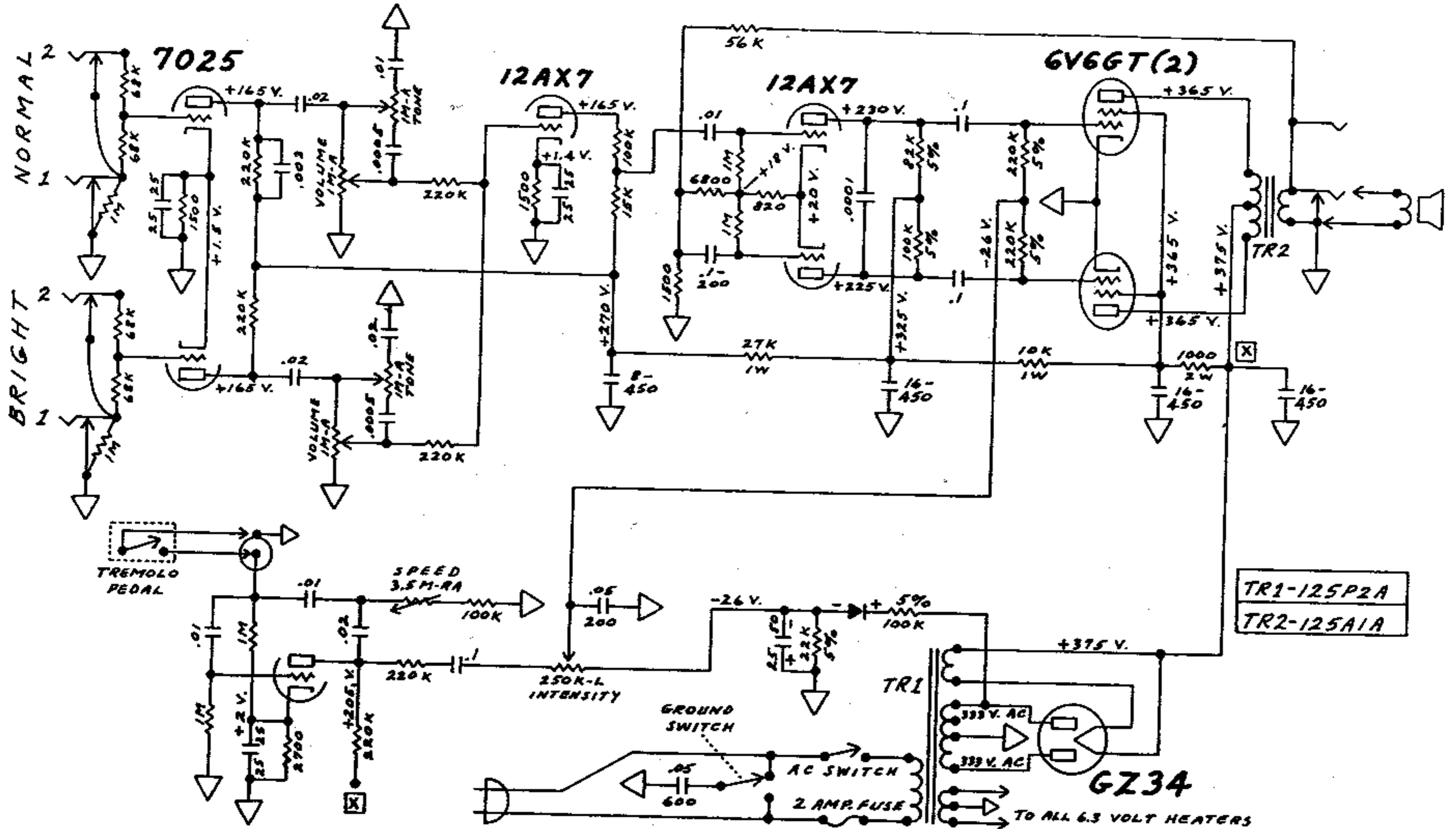
FENDER DELUXE "SCHEMATIC

MODEL 6G3

I-FA

NOTICE

- 1- VOLTAGES READ TO GROUND WITH ELECTRONIC VOLTMETER. VALUES SHOWN + OR - 20%
- 2- ALL RESISTORS 1/2 WATT, 10% TOLERANCE, IF NOT SPECIFIED
- 3- ALL CAPACITORS AT LEAST 400 VOLT RATING, IF NOT SPECIFIED



FENDER "DELUXE" LAYOUT MODEL 663

I-FA

NOTICE

VOLTAGES READ TO GROUND WITH ELECTRONIC
VOLTMETER. VALUES SHOWN + OR - 20%

